

Kato Sofa

Full Assembly Instructions

K I N G

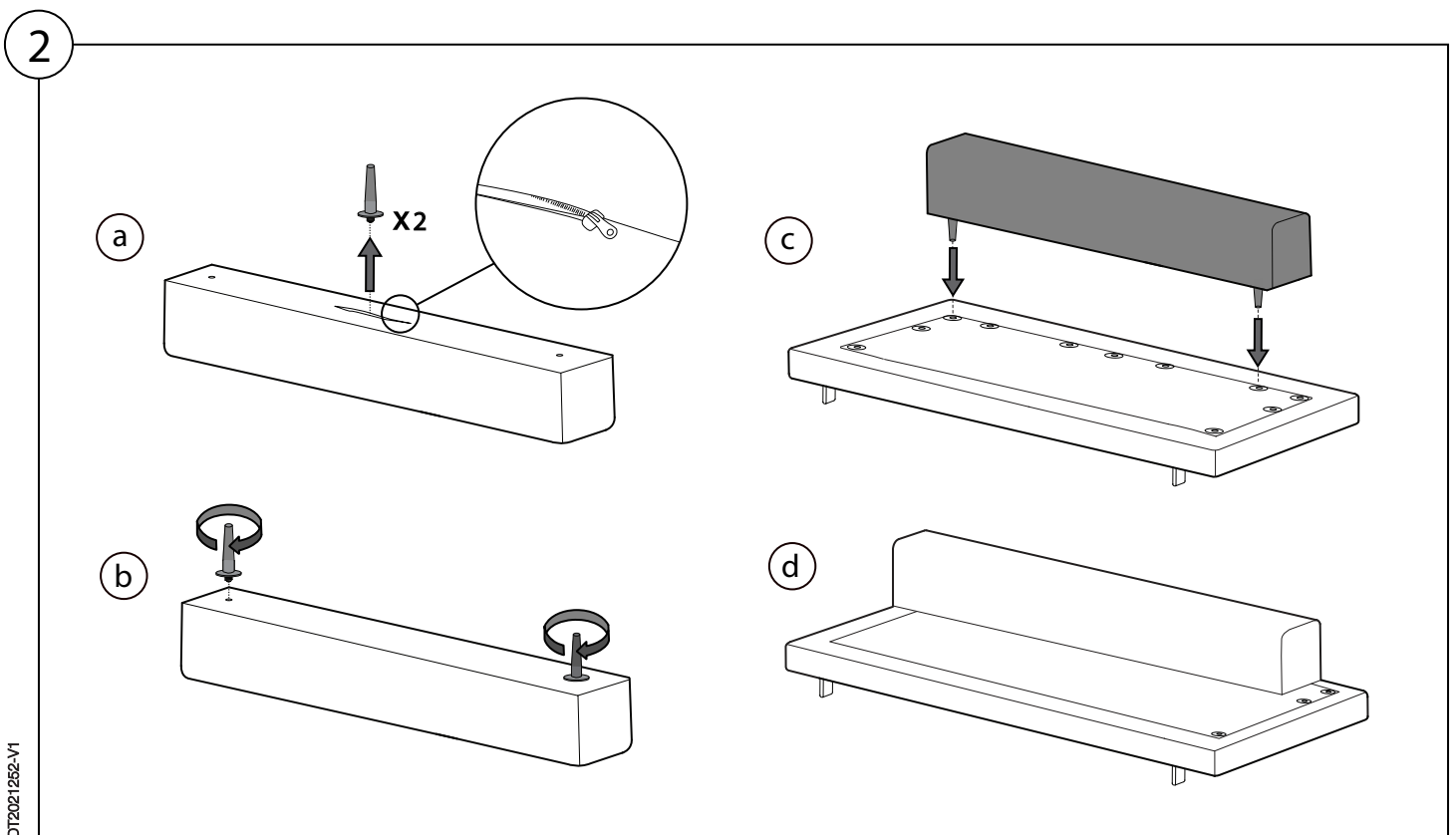
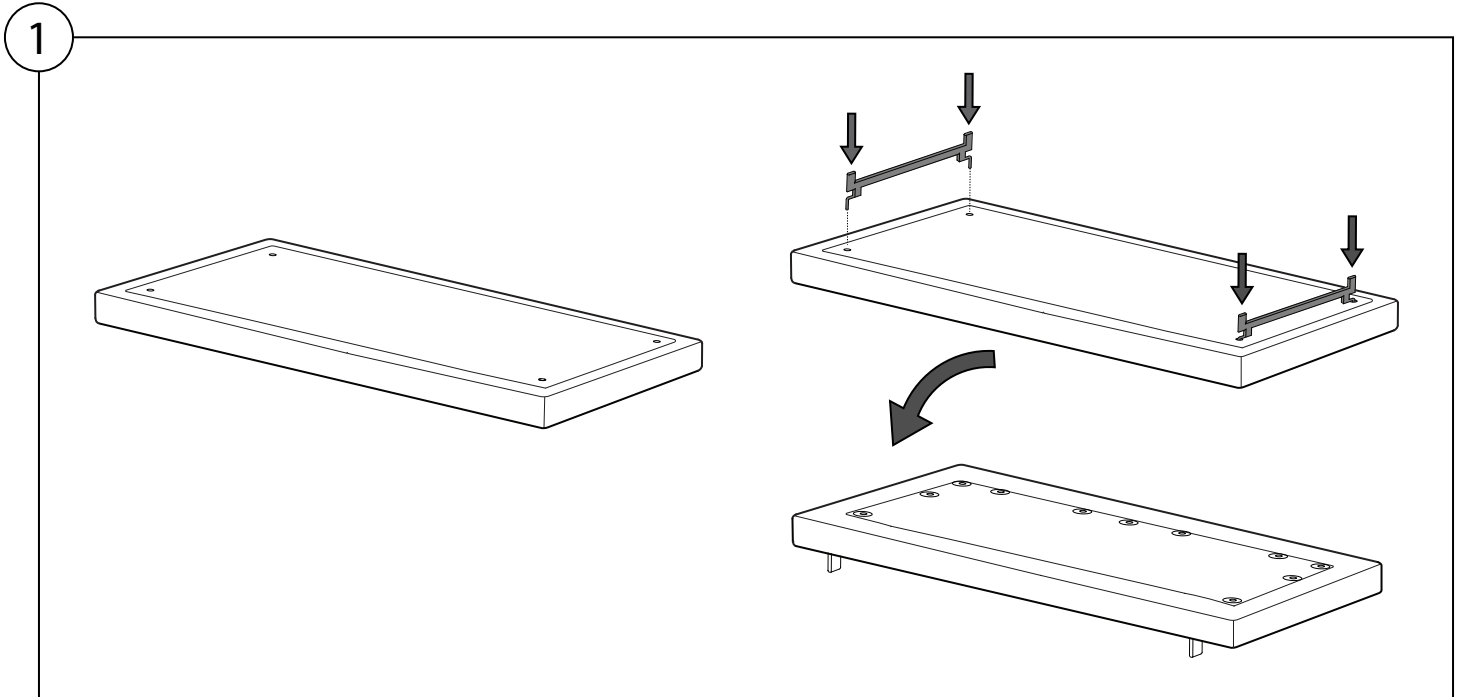
Two People Are Required For Safe Assembly.

Opening Boxes:

DO NOT use a knife to open the King boxes as you may damage your furniture.

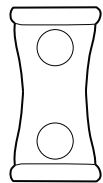
Peel off the tape, then lift & separate the cardboard flaps to open.

Assemble your furniture by following the instructions below.

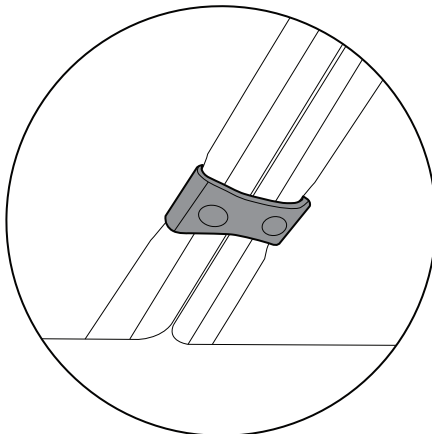
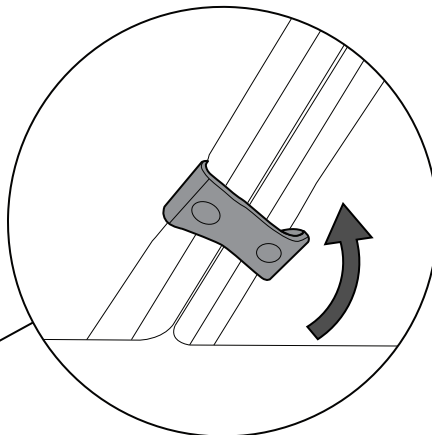
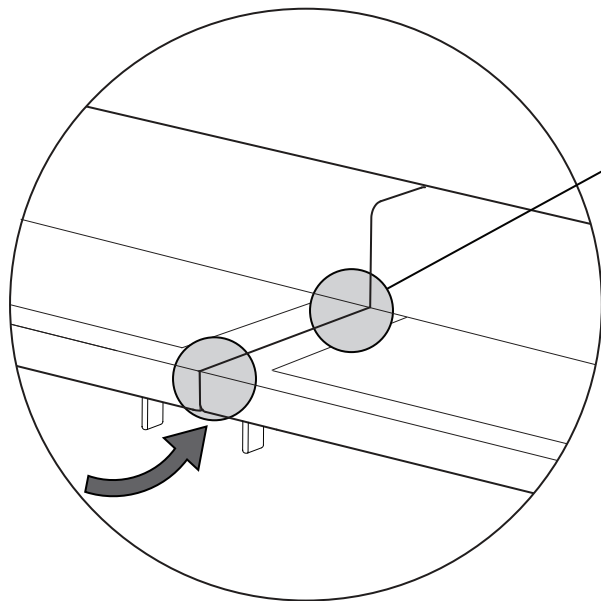


DT20021262-V1

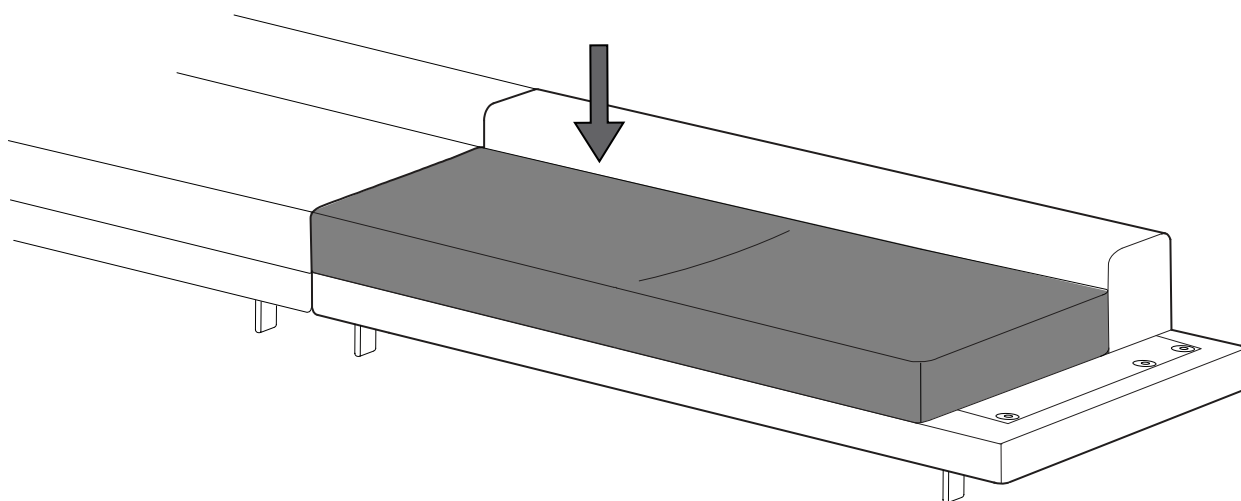
3



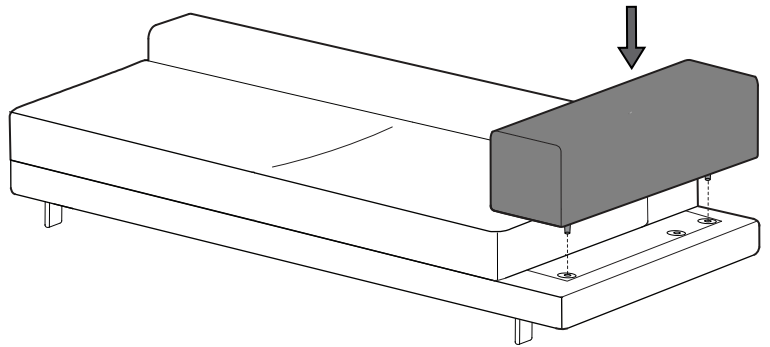
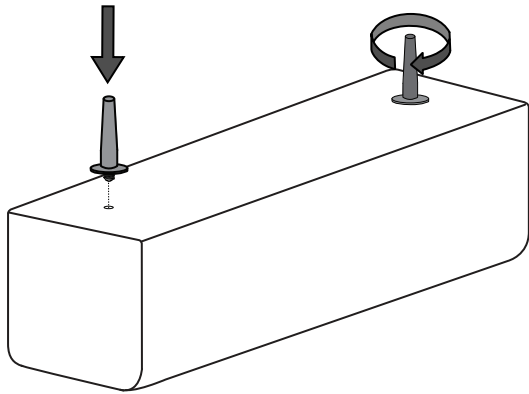
X2



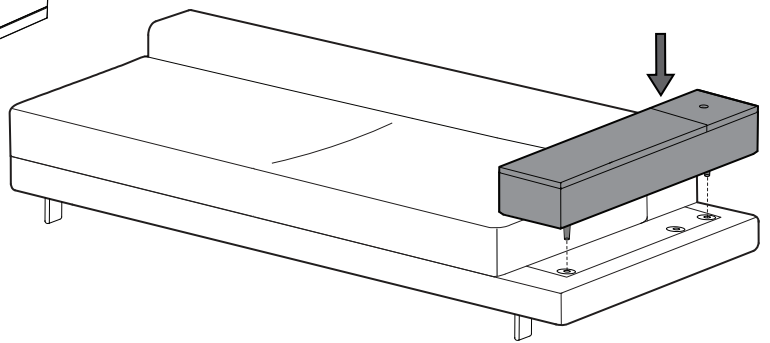
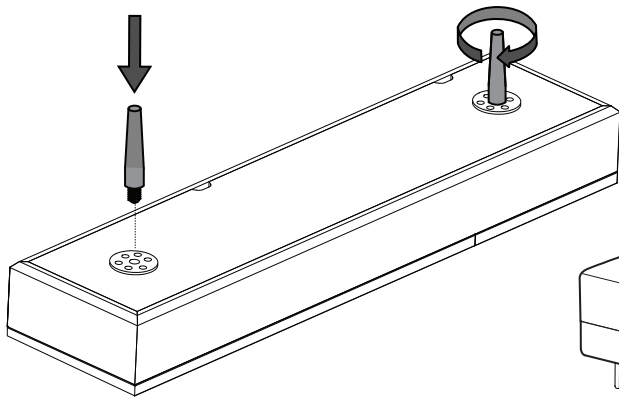
4



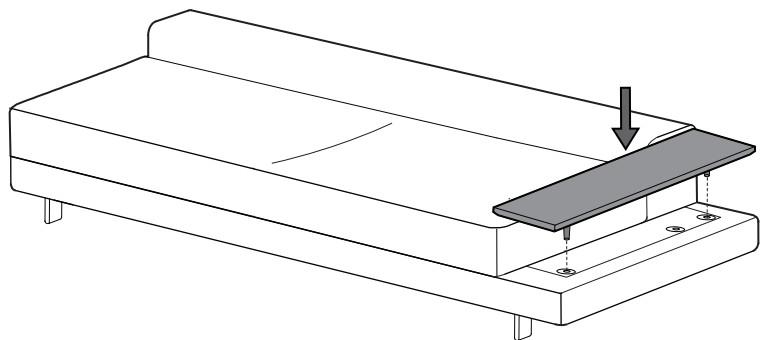
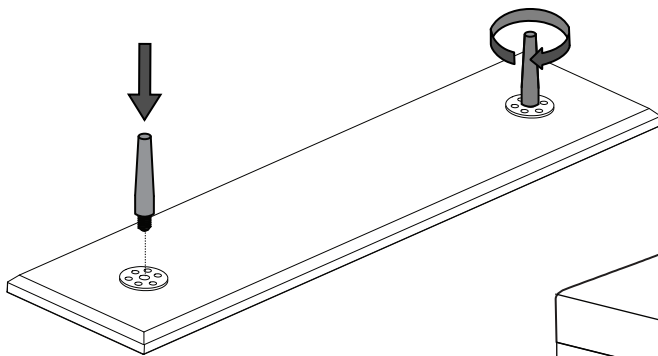
5



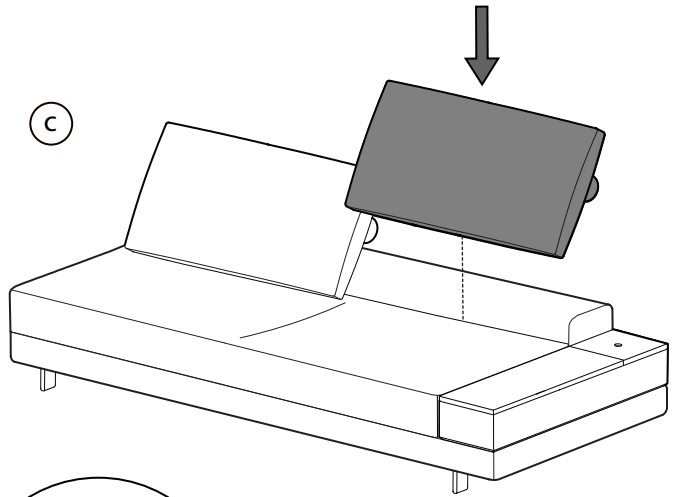
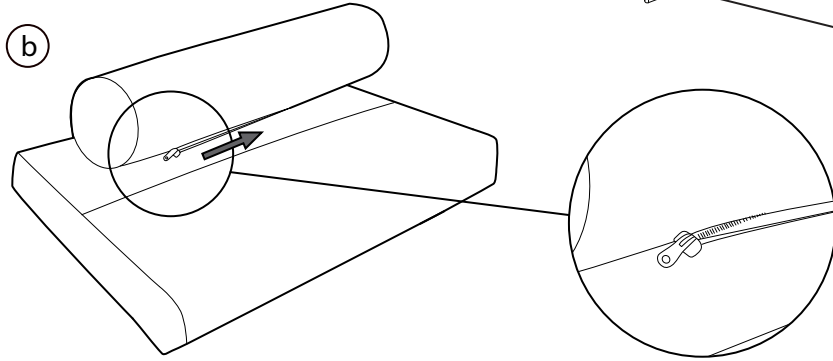
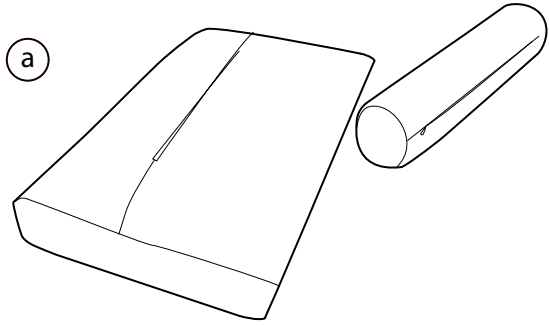
OR



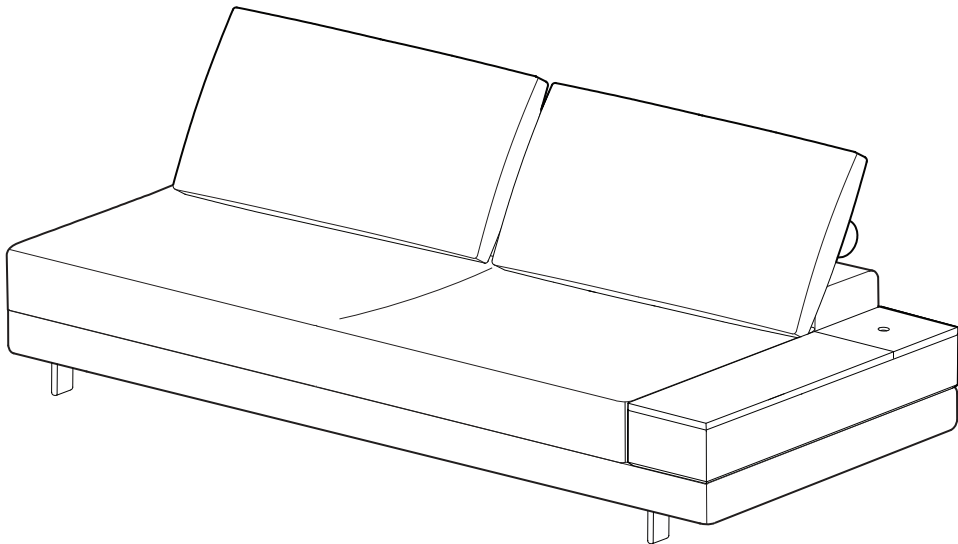
OR



6



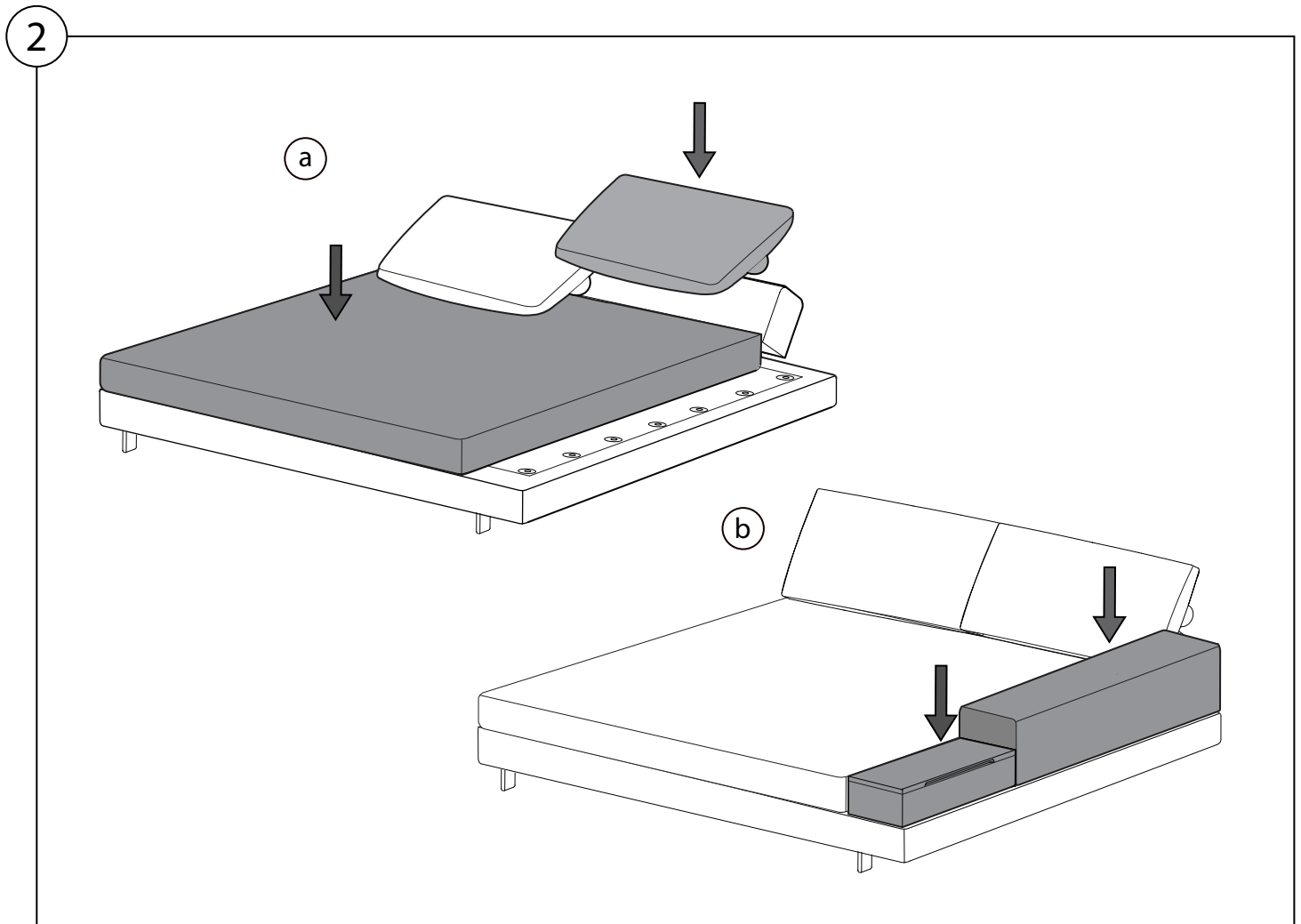
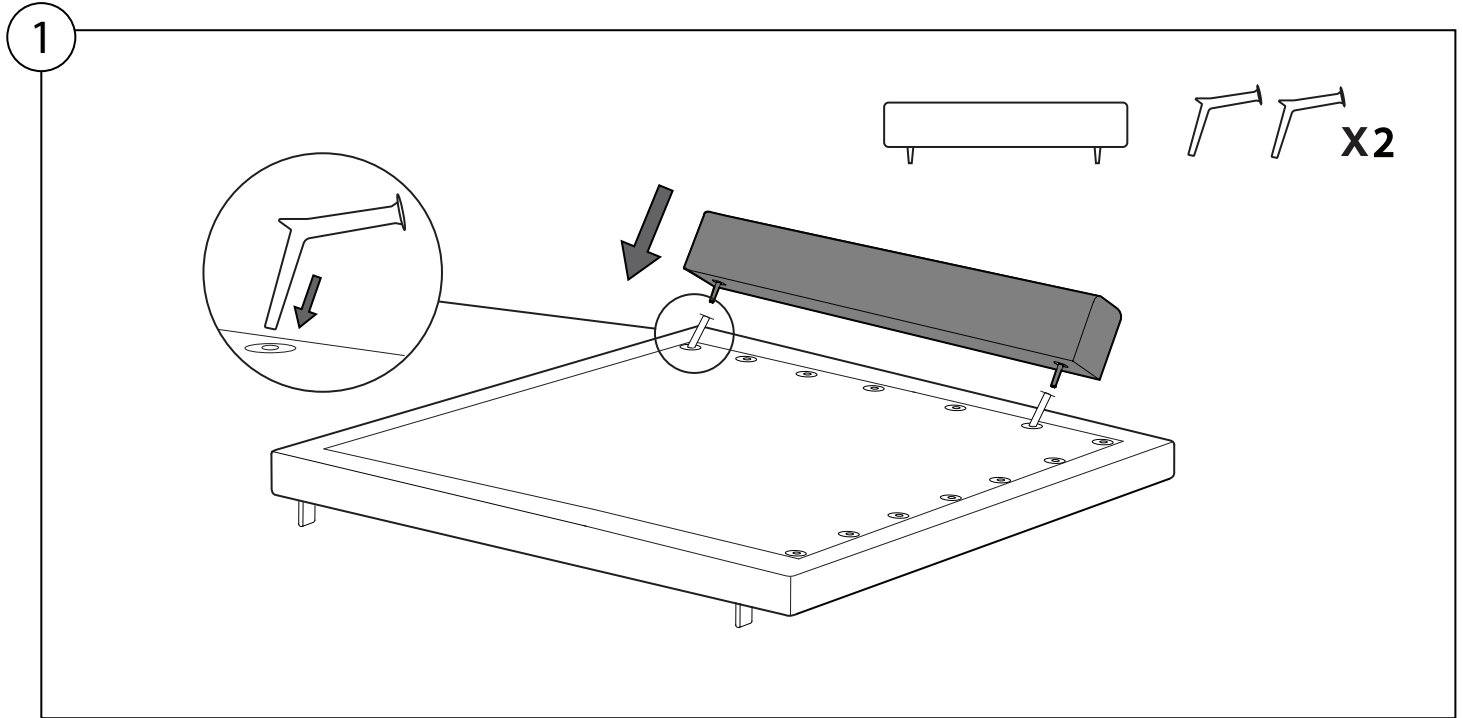
7



Kato II Sofa Alternate Features

Back Rest: Bed Position

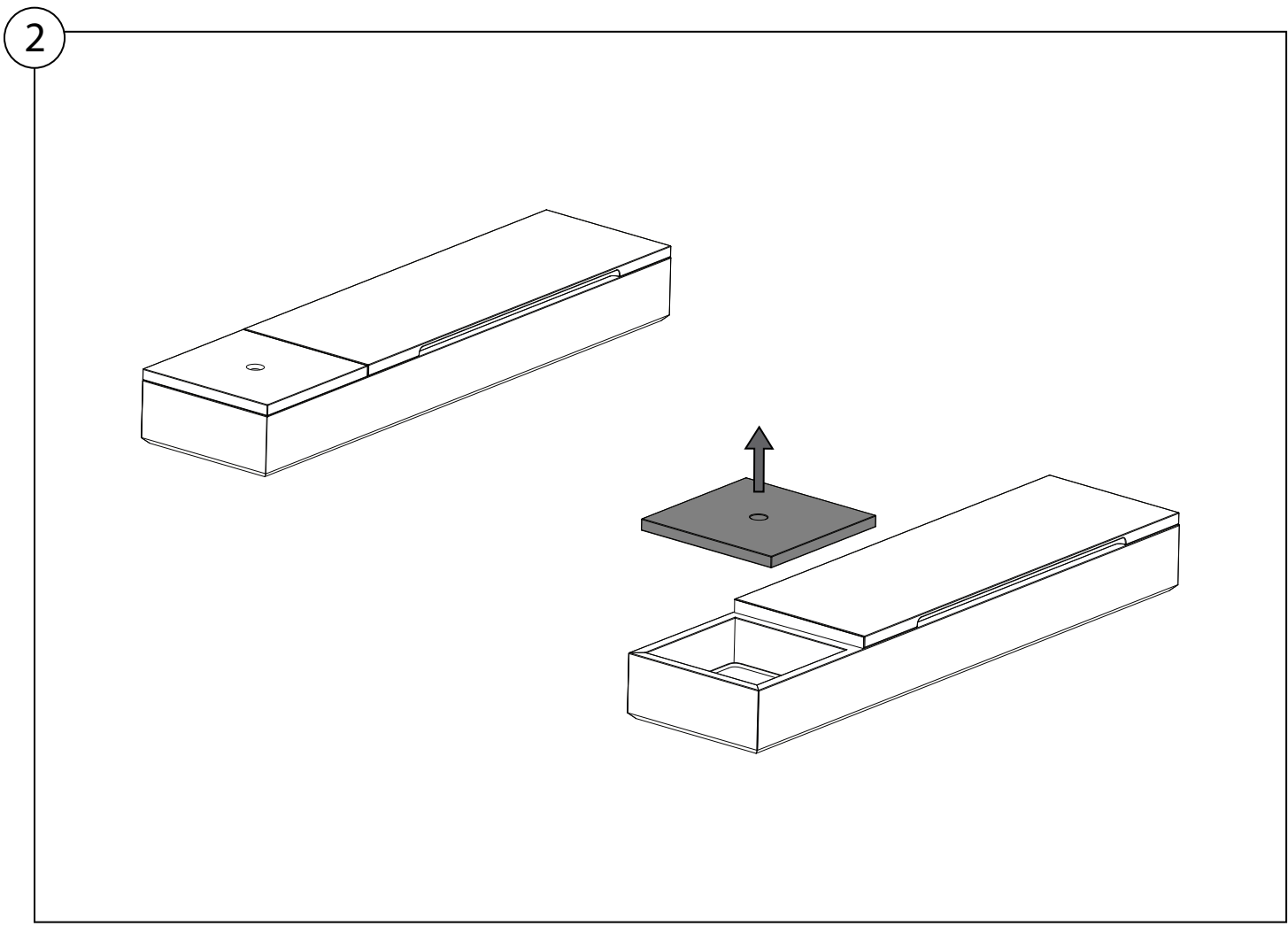
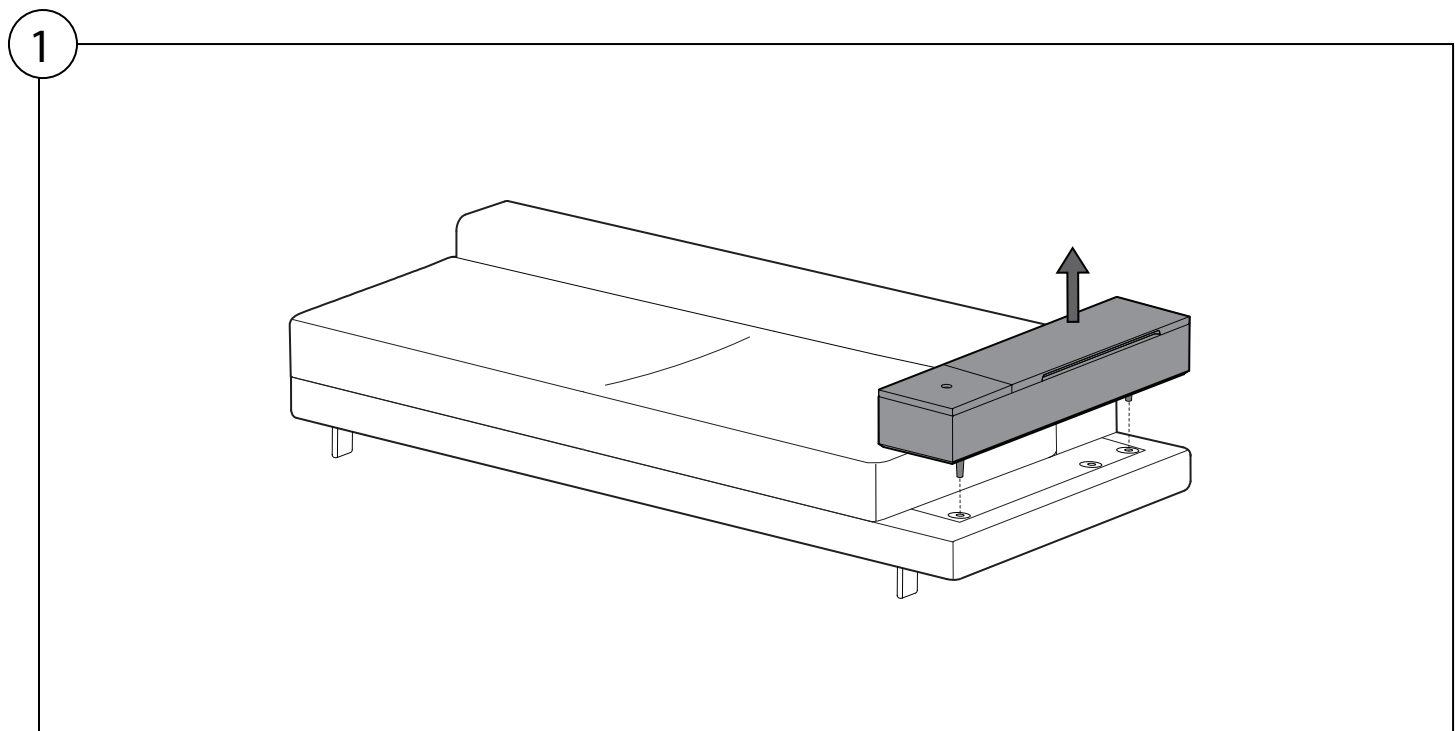
K I N G



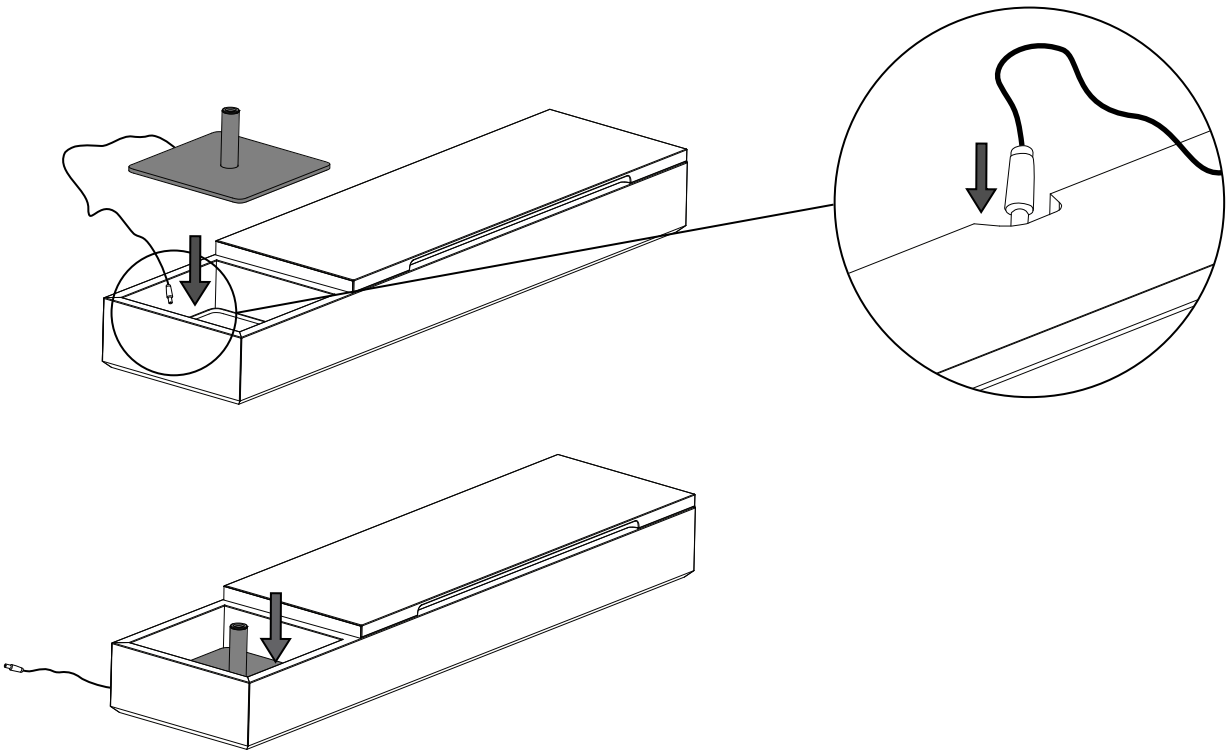
Kato II Sofa Alternate Features

Lume Light Assembly

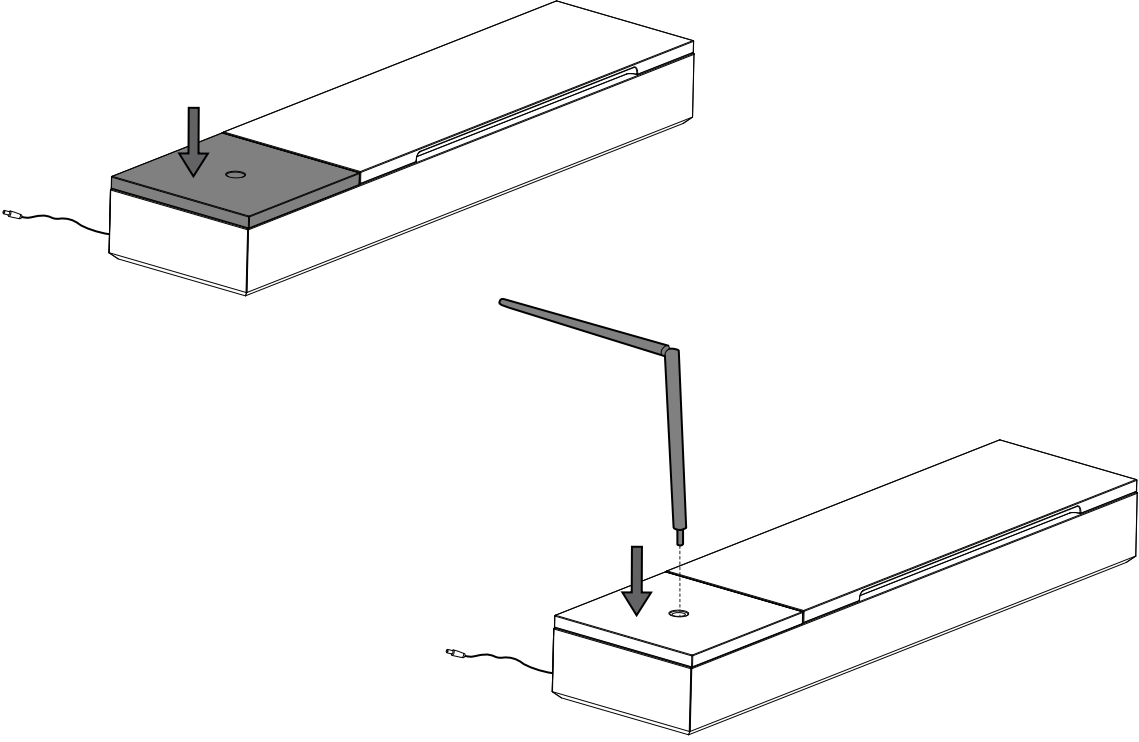
K I N G



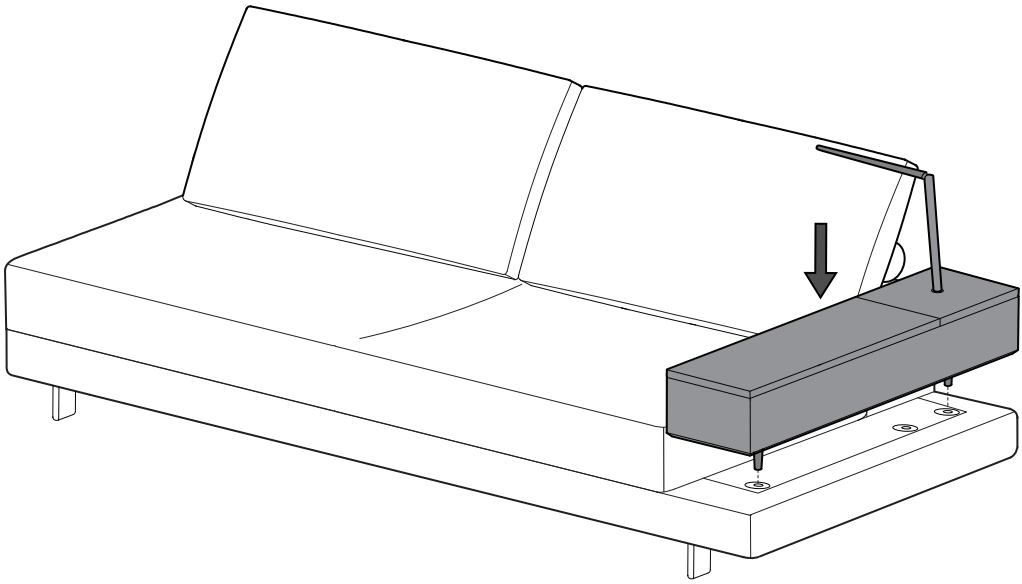
3



4



5



6

